

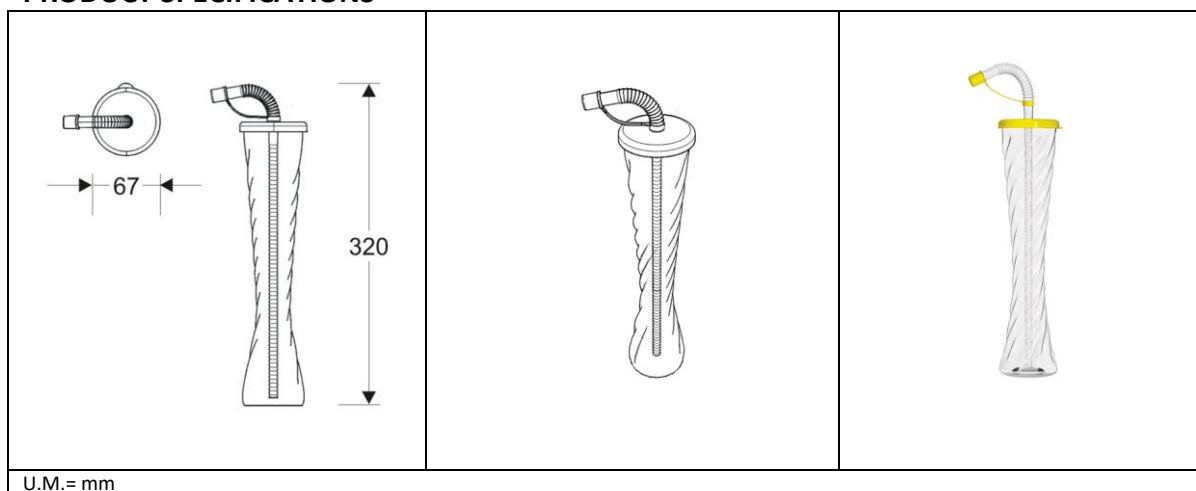


sweet world

Sweet World K. Małodobry-Stasiak, K. Pura sp. j.
Chróstnik 105, 59-311 Chróstnik, Polska

| | |
|---------------------|--|
| Item ref.: | 350ml/12oz Plastic container for cold beverages. |
| Extended Code: | various |
| Item description: | Plain Lid Cup |
| Color: | Red/Orange/Yellow/Green/Blue/Pink/Brown/Lime Green/White |
| Material: | PET |
| Technology: | Injection/Blow Molding |
| EAN code: | various |
| Customizable | yes |
| Restriction in use: | Do not microwave. Hand wash only. |

PRODUCT SPECIFICATIONS



| | |
|----------------------|-------|
| Net weight (gr): | 40 |
| Total capacity (cc): | 350 |
| Length (L): | 6,5cm |
| Width (W): | 6,5cm |
| Height (H): | 33cm |
| Int. Diameter (d1): | 6,5cm |
| Ext. Diameter (d2) : | |
| Note: | |
| | |

NIP: PL 6922452191
Regon: 020776469
KRS 0000459457

tel./fax +48 76 842 62 02
mobile: +48 600 050 895, +48 603 197 114

megazele@megazele.pl
biuro@sweetworld.pl
zamowienia@sweetworld.pl

www.sweetworld.pl
www.megazele.pl

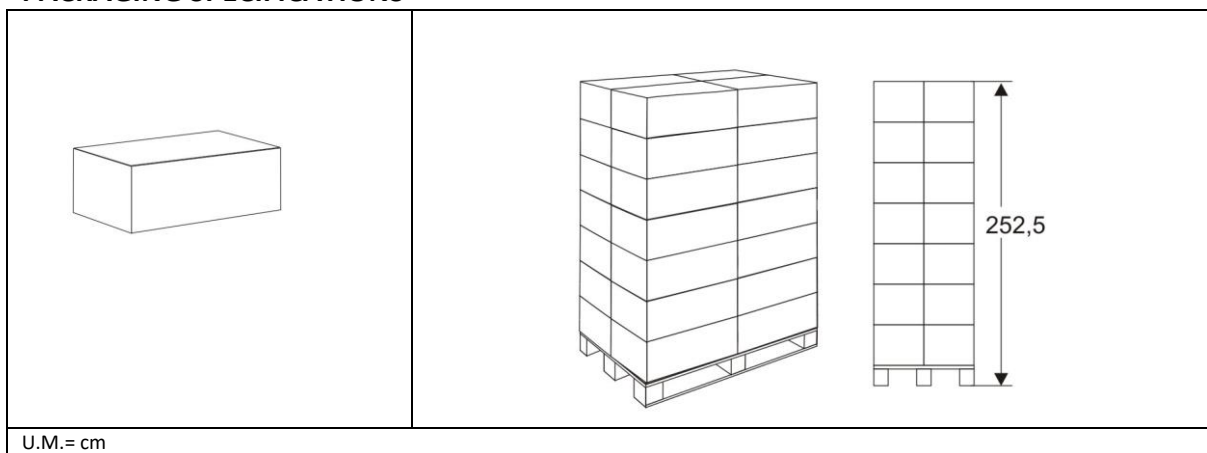
PKO Bank Polski SA, Oddział 1 w Lubinie
al. Niepodległości 29, 59-300 Lubin, Polska
(PLN) 91 1020 3017 0000 2702 0222 1448
(EUR) PL64 1020 3017 0000 2302 0281 8292
(USD) PL56 1020 3017 0000 2102 0280 9416
Kod BIC (Swift) BPKOPLPW



sweet world

Sweet World K. Małodobry-Stasiak, K. Pura sp. j.
Chróstnik 105, 59-311 Chróstnik, Polska

PACKAGING SPECIFICATIONS



U.M.= cm

| | |
|--------------------------------|---|
| Nr of pcs per box | 54 |
| Nr of pcs per inner packaging: | 1 |
| Nr of inner packaging per box: | 54 |
| Box measures: | 60/40/36cm / Palm 60/40/46 |
| Length: | 60cm |
| Width: | 40cm |
| Height: | 36cm |
| Box gross weight (Kg): | 3,16kg-4,36kg |
| Nr of boxes per pallet: | 20-28- depending on truck height and lid type |

COMPLIANCE DECLARATION FOR MATERIALS AND PRODUCTS SUITABLE TO GET IN CONTACT WITH FOODSTUFF

1) Is in compliance the following rules legislated by the European Community:

Regulation 10/2011/CE
Regulation 1935/2004/CE
Regulation 1895/2005/CE

2) The material doesn't contain substances subject to restrictions in the above mentioned regulations.

NIP: PL 6922452191
Regon: 020776469
KRS 0000459457

tel./fax +48 76 842 62 02
mobile: +48 600 050 895, +48 603 197 114

megazele@megazele.pl
biuro@sweetworld.pl
zamowienia@sweetworld.pl

www.sweetworld.pl
www.megazele.pl

PKO Bank Polski SA, Oddział 1 w Lubinie
al. Niepodległości 29, 59-300 Lubin, Polska
(PLN) 91 1020 3017 0000 2702 0222 1448
(EUR) PL64 1020 3017 0000 2302 0281 8292
(USD) PL56 1020 3017 0000 2102 0280 9416
Kod BIC (Swift) BPKOPLPW



sweet world

Sweet World K. Małodobry-Stasiak, K. Pura sp. j.
Chrótnik 105, 59-311 Chrótnik, Polska

The material respects the limits of global migration.

The statement is supported by analytics proofs or by calculation on the migration of substances made in accordance with the prescriptions as per chapter V of the regulation 10/2011.

3) Raw materials may contain substances as stated in Directive 89/107/CEE and 88/388/CEE and D.M. dd. 27th February 1996 - nr. 209, 27th November 1996 - nr. 684 and nr. 23 dd. July 2003 (these substances are also called "dual use" additives). As per experimental and/or theoretical calculations it results that these substances does not migrate into foodstuff in such a quantity to determine a technical effect and are in conformity with the restrictions as per the regulation 1333/2004 (alimentary additives) and 1334/2004 (aromas), or the attachment I of the regulation 10/2011, according to what applicable.

The user of the material intended to get in touch with foodstuff has the responsibility to inform our company in case of any restriction due to the composition (additives and aromas) of the alimentary product which have to be packed.

NIP: PL 6922452191
Regon: 020776469
KRS 0000459457

tel./fax +48 76 842 62 02
mobile: +48 600 050 895, +48 603 197 114

megazele@megazele.pl
biuro@sweetworld.pl
zamowienia@sweetworld.pl

www.sweetworld.pl
www.megazele.pl

PKO Bank Polski SA, Oddział 1 w Lubinie
al. Niepodległości 29, 59-300 Lubin, Polska
(PLN) 91 1020 3017 0000 2702 0222 1448
(EUR) PL64 1020 3017 0000 2302 0281 8292
(USD) PL56 1020 3017 0000 2102 0280 9416
Kod BIC (Swift) BPKOPLPW